

6 USER MANUAL FOR M560 (MM G5300.500/750.C)



CONTENT

6.1 Safety Instruction	2	6.3 Operation	5
6.2 Production Description	3	6.4 Maintenance	5
6.2.1 Basic Information.....	3		
6.2.2 Technical Specification.....	3		
6.2.3 Overall Dimension.....	4		

6.1 SAFETY INSTRUCTION



For safety, be sure to read this manual thoroughly before use, and follow it for correct use.

Save all safety warnings and instructions for future reference.

- **Observe all national regulations which set out the approved use of e-bikes.**

- **Do not attempt to change the performance of the product. Especially increase the power of the drive unit or the maximum speed that it supports.**

Doing this may put yourself and others at risk, and you may also breach statutory regulations.

- **Do not disassemble the drive unit yourself. The drive unit must only be repaired by qualified personnel using only original spare parts.**

This will ensure that the safety of the drive unit is maintained. Unauthorised opening of the drive unit will render warranty claims null and void.

- **Be sure to follow the instructions in the manuals when installing the product.**

Only use Bafang original components and spare parts. If a component or spare part is incorrectly assembled or adjusted, it can lead to product failure or accident.

- **In order to protect the electric parts, before disassembling the product, switch off the system power first by pressing the control unit of HMI and then disconnect the power cable.**

When installing the product, fix the parts first, then connect the power cable, and finally switch on the system power by pressing the control unit of HMI.

- **After a ride, do not allow your unprotected hands or legs to come into contact with the motor housing.**

Under extreme conditions, such as continuously high torques at low travel speeds, or when riding up hills or carry loads, the housing may reach a very high temperature.

- **Be sure to also inform users of the following safety information and instructions.**

- Observe the instructions in the user manual in order to ride safely.

- Observe the appropriate rules and regulations of the country, state or region in which you use the e-bikes.

- Use the product under the supervision of someone responsible for safety, and only as instructed. - Do not allow anyone (including children) with reduced physical, sensual, or mental capacity, or those without experience or knowledge, to use the product.

- Do not allow children to play near the product.

- Never modify the performance parameters. Doing so may cause a system error or legal question.

- If any malfunction or trouble occurs, consult the place of purchase.

- For any questions regarding methods of installation and maintenance of the product, consult the place of purchase.

- Products are not guaranteed against natural wear and deterioration from normal use and aging.

6.2 PRODUCT DESCRIPTION

6.2.1 Basic Information

- **Model**

MM G5300.500/750.C

- **Appearance**



- **Nameplate**

The following figure shows the laser mark and/or QR code label on the motor housing.



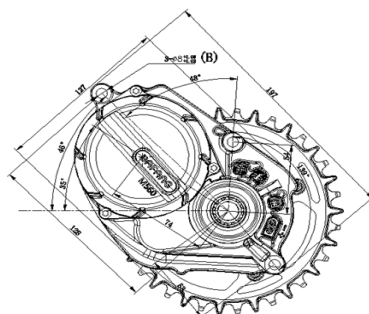
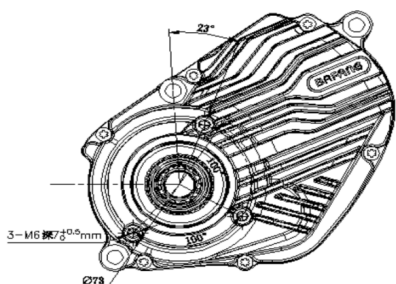
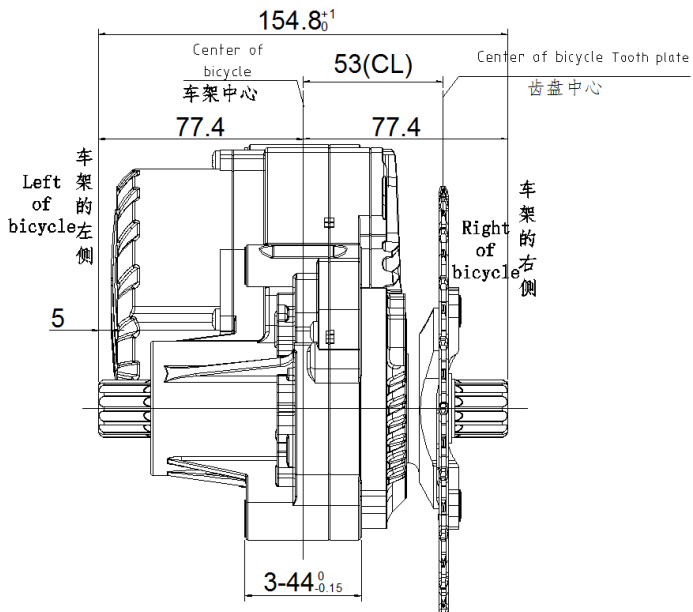
⚠ WARNING

It is forbidden to maliciously erase, polish, stain the laser mark and OR code label, otherwise no after-sales service will be provided.

6.2.2 Technical Specification

Item	Parameters	
Rated Voltage	48V	48V
Rated Power	500W	750W
Max. Torque	130N.m	140N.m
Operating Temperature	-20~45°C	-20~45°C
Storage Temperature	-10~40°C	-10~40°C
Protection Rating	IPX6	IPX6
Weight (approx.)	3.3kg	3.3kg

6.2.3 Overall Dimension



6.3 OPERATION

- Environmental conditions for operation:
 - a) Operating temperature: $-20^{\circ}\text{C}\sim 45^{\circ}\text{C}$;
 - b) Relative humidity: (20~90)%RH;
 - c) Atmospheric pressure: (86~106)kPa;
 - d) No seriously corrosive gas or no medium affecting the electrical insulation around.
- Be sufficiently familiar with how to start the drive unit before riding on busy streets, otherwise the unexpected start may result in an accident.
- Avoid water immersion during operation.
- Avoid violent impact during operation.
- Prohibit overload for a long time.
- Avoid direct touch of hands or legs with products that have been running for a long time without protection to prevent heat burns.
- Observe the appropriate rules and regulations of the country, state or region in which you use the e-bikes.

6.4 MAINTENANCE

- Maintenance must be carried out by Bafang authorized personnel with the correct equipment.
- Do not disassemble the product.
- It is recommended to regularly check whether the end cap nuts on both sides of the product are loose, whether the connector is loose, whether the shape is deformed or whether the power cord is broken.
- The components are designed to be fully waterproofed to withstand wet weather riding conditions. However, do not deliberately place them into water.
- Power off the ebike system before cleaning the product by pressing the On/Off button of HMI.
- Do not clean the product with a high-pressure washer. If water seeps into the electrical components, operating problems or corrosion may result.
- Use a damp, well wrung out cloth, when cleaning the motor housing and cover.