



BATTERY

BAFANG BATTERY WORKBOOK

ENGINEERED
TO MAKE YOU

smile

BAFANG

POWER YOUR LIFE

CONTENT

04

BT F140.B252.C
BT F050.B360.C

06

BT F38.960.0
BT F090.D960

08

BT F14.430.0
BT F35.620.0
BT F315.1200.0
BT F313.840.0

10

BT F100.B360.C
BT F014.410.C
BT F030.B378

12

BT F15.655.C
BT F15.730.C
BT F311.840.0
BT F39.614.0
BT F16.630.C

14

BT C020.B378
BT C021.B504
BT C010.D1008

03

BT F050.B360.C
BT F116.378

05

BT F03.450.C
BT F04.600.C
BT F010.B630.C
BT F010.D672.C

07

BT F07.450.C
BT F08.600.C
BT F110.D672

09

BT F040.B360.C
BT F100.B360.C
BT F014.410.C

11

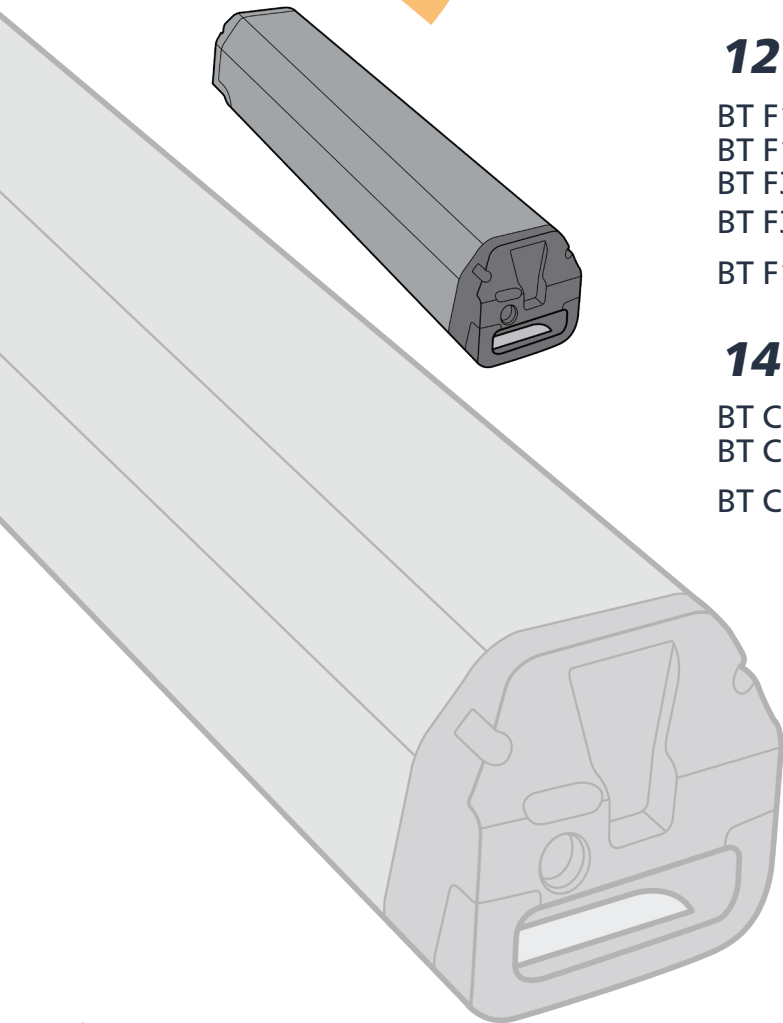
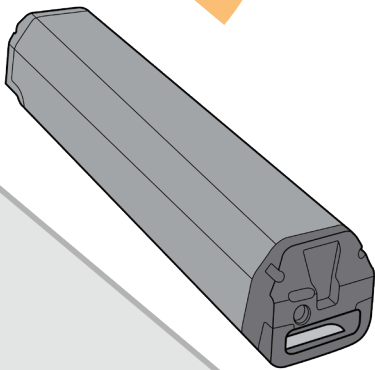
BT F13.630.C
BT F021.B504.C

13

BT F33.672.0
BT C01.498.UC
BT C01.623.UC
BT C01.750.UC

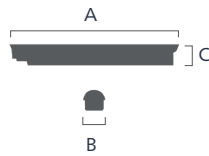
15

BT F22.960.C
BT F23.720.C



Model No.

BT F050.B360.C



A (mm)	459
B (mm)	60
C (mm)	57

Components

Charger	2A / 3A - DC2.1
Lock	BAFANG

Specifications

Nominal Voltage (Vdc)	36
Energy (Wh)	360
Rated Capacity (Ah)	10
Com. Protocol	CAN
Smart BMS	Yes
Voltage Scope (V)	27.5 - 42
Charging time	6h with 2A Charger 4.5h with 3A Charger
Max Continuous Discharge Current(A)	18

Operation Temperature

Charge	0 - 45 °C
Discharge	-20 - 60 °C
Storage (At 35% SOC &-10~35 °C)	Max 6 Months

Matching Parameter

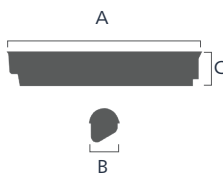
Weight (kg)	2.2
Mounting type	Full Integrated
Removing type	Up

Tests & Certifications

CB , CE , UN38.3 , ISO 13849

Model No.

BT F116.378



A (mm)	434
B (mm)	68
C (mm)	77

Components

Charger	DC2.1
Lock	BAFANG

Specifications

Nominal Voltage (Vdc)	36
Energy (Wh)	378
Rated Capacity (Ah)	10.5
Com. Protocol	/
Smart BMS	/
Voltage Scope (V)	27.5 - 42
Charging time	6.5h With 2A Charger
Max Continuous Discharge Current(A)	23

Operation Temperature

Charge	0 - 45 °C
Discharge	-20 - 60 °C
Storage (At 35% SOC &-10~35 °C)	Max 6 Months

Matching Parameter

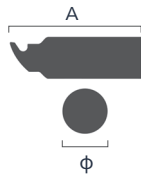
Weight (kg)	2
Mounting type	Full Integrated
Removing type	Up

Tests & Certifications

UN38.3

Model No.

BT F140.B252.C



A (mm)	250
φ (mm)	78.7

Components

Charger	2A
Lock	BAFANG

Specifications

Nominal Voltage (Vdc)	36
Energy (Wh)	252
Rated Capacity (Ah)	7
Com. Protocol	CAN
Smart BMS	Yes
Voltage Scope (V)	27.5 - 42
Charging time	4.5h with 2A Charger
Max Continuous Discharge Current(A)	18

Operation Temperature

Charge	0 - 45 °C
Discharge	-20 - 60 °C
Storage (At 35% SOC &-10~35 °C)	Max 6 Months

Matching Parameter

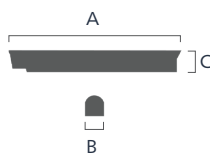
Weight (kg)	2.0
Mounting type	Up
Removing type	Slide

Tests & Certifications

IPX 6, CE / UN38.3 / MSDS

Model No.

BT F050.B360.C



A (mm)	459
B (mm)	60
C (mm)	57

Components

Charger	2A / 3A - DC2.1
Lock	BAFANG

Specifications

Nominal Voltage (Vdc)	36
Energy (Wh)	360
Rated Capacity (Ah)	10
Com. Protocol	CAN
Smart BMS	Yes
Voltage Scope (V)	27.5 - 42
Charging time	6h with 2A Charger 4.5h with 3A Charger
Max Continuous Discharge Current(A)	18

Operation Temperature

Charge	0 - 45 °C
Discharge	-20 - 60 °C
Storage (At 35% SOC &-10~35 °C)	Max 6 Months

Matching Parameter

Weight (kg)	2.2
Mounting type	Full Integrated
Removing type	Up

Tests & Certifications

CB , CE , UN38.3 , ISO 13849

Model No.

BT F03.450.C
BT F04.600.C



A (mm)	334
B (mm)	73, 89
C (mm)	86

Components

Charger	2A / 3A
Lock	AXA / BAFANG

Specifications

Nominal Voltage (Vdc)	43
Energy (Wh)	450, 600
Rated Capacity (Ah)	10.5, 14
Com. Protocol	CAN
Smart BMS	Yes
Voltage Scope (V)	32.4 - 49.2
Charging time	6.5h, 8.5h with 2A Charger 4.5h, 5.5h with 3A Charger
Max Continuous Discharge Current(A)	24

Operation Temperature

Charge	0 - 45 °C
Discharge	-20 - 60 °C
Storage (At 35% SOC & -10~35 °C)	Max 6 Months

Matching Parameter

Weight (kg)	2.8, 3.5
Mounting type	Full Integrated
Removing type	Up / Down

Tests & Certifications

CB, CE, UN38.3, ISO 13849

Model No.

BT F010.B630.C
BT F010.D672.C



A (mm)	398
B (mm)	74
C (mm)	83

Components

Charger	2A / 3A - DC2.1
Lock	BAFANG

Specifications

Nominal Voltage (Vdc)	36, 48
Energy (Wh)	630, 672
Rated Capacity (Ah)	17.5, 14
Com. Protocol	CAN
Smart BMS	Yes
Voltage Scope (V)	27.5 - 42, 35.75 - 54.6
Charging time	10h with 2A Charger 7h, 5.7h with 3A Charger
Max Continuous Discharge Current(A)	30

Operation Temperature

Charge	0 - 45 °C
Discharge	-20 - 60 °C
Storage (At 35% SOC & -10~35 °C)	Max 6 Months

Matching Parameter

Weight (kg)	3.6, 3.8
Mounting type	Full Integrated
Removing type	Up

Tests & Certifications

CB, CE, UN38.3, ISO 13849

Model No.

BT F38.960.0



A (mm)	425
B (mm)	97
C (mm)	116

Components

Charger	3A - DC2.1
Lock	BAFANG

Specifications

Nominal Voltage (Vdc)	48
Energy (Wh)	960
Rated Capacity (Ah)	20
Com. Protocol	/
Smart BMS	/
Voltage Scope (V)	35.75 - 54.6
Charging time	8h With 3A Charger
Max Continuous Discharge Current(A)	30

Operation Temperature

Charge	0 - 45 °C
Discharge	-20 - 60 °C
Storage (At 35% SOC & -10~35 °C)	Max 6 Months

Matching Parameter

Weight (kg)	4.8
Mounting type	Full Integrated
Removing type	Up

Tests & Certifications

Tests & Certifications	UN38.3 , MSDS
------------------------	---------------

Model No.

BT F090.D960



A (mm)	440
B (mm)	80
C (mm)	108

Components

Charger	3A
Lock	BAFANG

Specifications

Nominal Voltage (Vdc)	48
Energy (Wh)	960
Rated Capacity (Ah)	20
Com. Protocol	/
Smart BMS	No
Voltage Scope (V)	35.75 - 54.6
Charging time	7.5h With 3A Charger
Max Continuous Discharge Current(A)	30

Operation Temperature

Charge	0 - 45 °C
Discharge	-20 - 60 °C
Storage (At 35% SOC & -10~35 °C)	Max 6 Months

Matching Parameter

Weight (kg)	5.3
Mounting type	Full Integrated
Removing type	Down

Tests & Certifications

Tests & Certifications	UN38.3
------------------------	--------

Model No.

BT F07.450.C
BT F08.600.C



A	
B	
C	
A (mm)	334
B (mm)	78 , 89
C (mm)	92

Components	
Charger	2A / 3A - BAFANG
Lock	AXA / BAFANG
Specifications	
Nominal Voltage (Vdc)	43
Energy (Wh)	450 , 600
Rated Capacity (Ah)	10.5 , 14
Com. Protocol	CAN
Smart BMS	Yes
Voltage Scope (V)	32.4 - 49.2
Charging time	6.5h , 8.5h with 2A Charger 4.5h , 5.5h with 3A Charger
Max Continuous Discharge Current(A)	24
Operation Temperature	
Charge	0 - 45 °C
Discharge	-20 - 60 °C
Storage (At 35% SOC & -10~35 °C)	Max 6 Months
Matching Parameter	
Weight (kg)	2.8 , 3.5
Mounting type	Semi Integrated
Removing type	Side_Left
Tests & Certifications	
	CB , CE , UN38.3 , ISO 13849

Model No.

BT F110.D672



A	
B	
C	
A (mm)	425
B (mm)	105
C (mm)	90

Components	
Charger	2A / 3A
Lock	BAFANG
Specifications	
Nominal Voltage (Vdc)	48
Energy (Wh)	672
Rated Capacity (Ah)	14
Com. Protocol	/
Smart BMS	No
Voltage Scope (V)	35.75 - 54.6
Charging time	8h with 2A Charger 5.5h with 3A Charger
Max Continuous Discharge Current(A)	30
Operation Temperature	
Charge	0 - 45 °C
Discharge	-20 - 60 °C
Storage (At 35% SOC & -10~35 °C)	Max 6 Months
Matching Parameter	
Weight (kg)	3.8
Mounting type	Semi Integrated
Removing type	Side_Left
Tests & Certifications	
	UN38.3

Model No.

BT F14.430.0
BT F35.620.0



A (mm)	367
B (mm)	93
C (mm)	90

Components	
Charger	2A / 3A - DC2.1
Lock	BAFANG
Specifications	
Nominal Voltage (Vdc)	36 , 48
Energy (Wh)	430 , 620
Rated Capacity (Ah)	13 , 14
Com. Protocol	/
Smart BMS	No
Voltage Scope (V)	27.5 - 42 , 35.75 - 54.6
Charging time	7.5h , - with 2A Charger 5.5h , 5.7h with 3A Charger
Max Continuous Discharge Current(A)	23
Operation Temperature	
Charge	0 - 45 °C
Discharge	-20 - 60 °C
Storage (At 35% SOC &-10~35 °C)	Max 6 Months
Matching Parameter	
Weight (kg)	3.5 , 3.6
Mounting type	Semi integrated
Removing type	Side Left
Tests & Certifications	
	CE , UN38.3

Model No.

BT F315.1200.0
BT F313.840.0

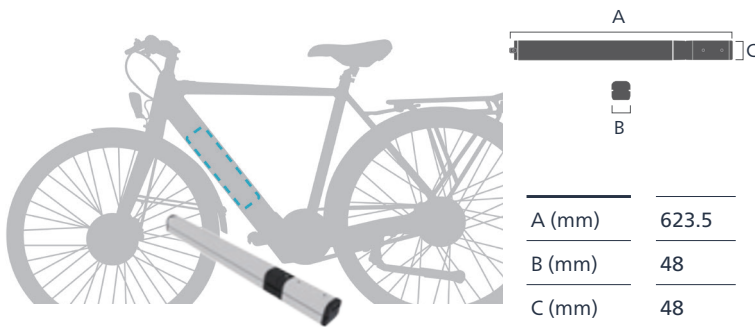


A (mm)	458,457
B (mm)	109,104
C (mm)	84,65

Components	
Charger	3A
Lock	BAFANG
Specifications	
Nominal Voltage (Vdc)	48
Energy (Wh)	1200 , 840
Rated Capacity (Ah)	25 , 17.5
Com. Protocol	/
Smart BMS	No
Voltage Scope (V)	35.75 - 54.6
Charging time	9.5h , 7h with 3A Charger
Max Continuous Discharge Current(A)	30
Operation Temperature	
Charge	0 - 45 °C
Discharge	-20 - 60 °C
Storage (At 35% SOC &-10~35 °C)	Max 6 Months
Matching Parameter	
Weight (kg)	5.5 , 4.2
Mounting type	Full Integrated
Removing type	Up
Tests & Certifications	
	UN38.3 , MSDS

Model No.

BT F040.B360.C



A (mm)	623.5
B (mm)	48
C (mm)	48

Components

Charger	2A
Lock	BAFANG

Specifications

Nominal Voltage (Vdc)	36
Energy (Wh)	360
Rated Capacity (Ah)	9.5
Com. Protocol	CAN
Smart BMS	Yes
Voltage Scope (V)	27.5 - 42
Charging time	6.5h with 2A Charger
Max Continuous Discharge Current(A)	20

Operation Temperature

Charge	0 - 45 °C
Discharge	-20 - 60 °C
Storage (At 35% SOC & -10~35 °C)	Max 6 Months

Matching Parameter

Weight (kg)	2
Mounting type	Intube
Removing type	Bottom

Tests & Certifications

CB, CE, UN38.3, ISO 13849

Model No.

BT F100.B360.C BT F014.410.C



A (mm)	397,470
B (mm)	52
C (mm)	63

Components

Charger	2A / 3A - BAFANG
Lock	/

Specifications

Nominal Voltage (Vdc)	36, 43
Energy (Wh)	360, 410
Rated Capacity (Ah)	9.5, 9.5
Com. Protocol	CAN
Smart BMS	Yes
Voltage Scope (V)	27.5 - 41, 32.4 - 49.2
Charging time	6h, 6h with 2A Charger 4.5h, 4.5h with 3A Charger
Max Continuous Discharge Current(A)	18

Operation Temperature

Charge	0 - 45 °C
Discharge	-20 - 60 °C
Storage (At 35% SOC & -10~35 °C)	Max 6 Months

Matching Parameter

Weight (kg)	2.3, 2.6
Mounting type	Intube
Removing type	Bottom

Tests & Certifications

CB, CE, UN38.3, ISO 13849

Model No.

BT F100.B360.C
BT F014.410.C



A	
B	
C	
A (mm)	397,470
B (mm)	52
C (mm)	63

Components

Charger	2A / 3A - BAFANG
Lock	/

Specifications

Nominal Voltage (Vdc)	36 , 43
Energy (Wh)	360 , 410
Rated Capacity (Ah)	9.5 , 9.5
Com. Protocol	CAN
Smart BMS	Yes
Voltage Scope (V)	27.5 - 41 , 32.4 - 49.2
Charging time	6h , 6h with 2A Charger 4.5h , 4.5h with 3A Charger
Max Continuous Discharge Current(A)	18

Operation Temperature

Charge	0 - 45 °C
Discharge	-20 - 60 °C
Storage (At 35% SOC &-10~35 °C)	Max 6 Months

Matching Parameter

Weight (kg)	2.3 , 2.6
Mounting type	Intube
Removing type	Bottom

Tests & Certifications

CB , CE , UN38.3 , ISO 13849

Model No.

BT F030.B378



A	
B	
C	
A (mm)	420
B (mm)	76
C (mm)	68

Components

Charger	2A / 3A
Lock	BAFANG

Specifications

Nominal Voltage (Vdc)	36
Energy (Wh)	378
Rated Capacity (Ah)	10.5
Com. Protocol	/
Smart BMS	No
Voltage Scope (V)	27.5 - 42
Charging time	6.5h with 2A Charger 4.5h with 3A Charger
Max Continuous Discharge Current(A)	23

Operation Temperature

Charge	0 - 45 °C
Discharge	-20 - 60 °C
Storage (At 35% SOC &-10~35 °C)	Max 6 Months

Matching Parameter

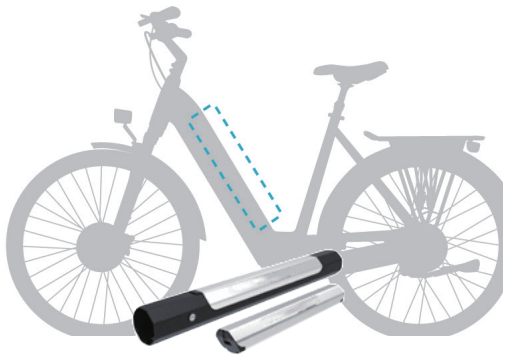
Weight (kg)	2.7
Mounting type	Full Integrated
Removing type	Up

Tests & Certifications

CB , CE , UN38.3 , ISO 13849

Model No.

BT F13.630.C



A (mm)	487
B (mm)	90
C (mm)	69

Components

Charger	2A / 3A
Lock	BAFANG

Specifications

Nominal Voltage (Vdc)	36
Energy (Wh)	630
Rated Capacity (Ah)	17.5
Com. Protocol	CAN
Smart BMS	Yes
Voltage Scope (V)	27.5 - 42
Charging time	9.5h with 2A Charger 7h with 3A Charger
Max Continuous Discharge Current(A)	23

Operation Temperature

Charge	0 - 45 °C
Discharge	-20 - 60 °C
Storage (At 35% SOC & -10~35 °C)	Max 6 Months

Matching Parameter

Weight (kg)	3.8
Mounting type	Full Integrated
Removing type	Up

Tests & Certifications

CB , CE , UN38.3 , ISO 13849

Model No.

BT F021.B504.C



A (mm)	434
B (mm)	74
C (mm)	67

Components

Charger	2A / 3A - DC2.1
Lock	BAFANG

Specifications

Nominal Voltage (Vdc)	36
Energy (Wh)	504
Rated Capacity (Ah)	14
Com. Protocol	CAN
Smart BMS	Yes
Voltage Scope (V)	27.5 - 42
Charging time	5.5h with 3A Charger
Max Continuous Discharge Current(A)	23

Operation Temperature

Charge	0 - 45 °C
Discharge	-20 - 60 °C
Storage (At 35% SOC & -10~35 °C)	Max 6 Months

Matching Parameter

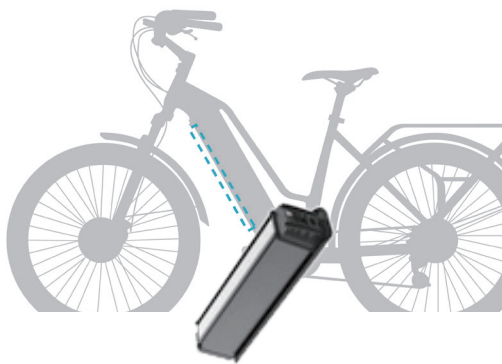
Weight (kg)	2.9
Mounting type	Full Integrated
Removing type	Down/Up

Tests & Certifications

CB , CE , UN38.3 , ISO 13849

Model No.

BT F15.655.C
BT F15.730.C
BT F311.840.0
BT F39.614.0



A (mm)	441.7
B (mm)	90
C (mm)	97.6

Components	
Charger	2A / 3A - DC2.1
Lock	BAFANG
Specifications	
Nominal Voltage (Vdc)	36 , 36 , 48 , 48
Energy (Wh)	655 , 730 , 840 , 614
Rated Capacity (Ah)	18.2 , 20.3 , 17.5 , 12.8
Com. Protocol	CAN , CAN , / , /
Smart BMS	Yes , Yes , / , /
Voltage Scope (V)	27.5 - 42 , 27.5 - 42 , 35.75 - 54.6 , 35.75 - 54.6
Charging time	10h , 11h , / , / with 2A Charger 7h , 8h , 5.3h , 7h with 3A Charger
Max Continuous Discharge Current(A)	23
Operation Temperature	
Charge	0 - 45 °C
Discharge	-20 - 60 °C
Storage (At 35% SOC &-10~35 °C)	Max 6 Months
Matching Parameter	
Weight (kg)	4.5 , 4.5 , 4.3 , 3.6
Mounting type	Full Integrated
Removing type	Down
Tests & Certifications	
	CB , CE , UN38.3 , ISO 13849

Model No.

BT F16.630.C



A (mm)	410
B (mm)	75
C (mm)	82

Components	
Charger	2A / 3A
Lock	BAFANG
Specifications	
Nominal Voltage (Vdc)	36
Energy (Wh)	630
Rated Capacity (Ah)	17.5
Com. Protocol	CAN
Smart BMS	Yes
Voltage Scope (V)	27.5 - 42
Charging time	9h with 2A Charger 7.5h with 3A Charger
Max Continuous Discharge Current(A)	23
Operation Temperature	
Charge	0 - 45 °C
Discharge	-20 - 60 °C
Storage (At 35% SOC &-10~35 °C)	Max 6 Months
Matching Parameter	
Weight (kg)	3.9
Mounting type	Full Integrated
Removing type	Down
Tests & Certifications	
	CB , CE , UN38.3 , ISO 13849

Model No.

BT F33.672.0



	A	
		C
		B
A (mm)	362	
B (mm)	99	
C (mm)	74	

Components

Charger	2A / 3A
Lock	BAFANG

Specifications

Nominal Voltage (Vdc)	48
Energy (Wh)	672
Rated Capacity (Ah)	14
Com. Protocol	/
Smart BMS	No
Voltage Scope (V)	35.75 - 54.6
Charging time	8h with 2A Charger 6h with 3A Charger
Max Continuous Discharge Current(A)	30

Operation Temperature

Charge	0 - 45 °C
Discharge	-20 - 60 °C
Storage (At 35% SOC & -10~35 °C)	Max 6 Months

Matching Parameter

Weight (kg)	3.5
Mounting type	Full Integrated
Removing type	Down

Tests & Certifications

CE , UN38.3

Model No.

BT C01.498.UC BT C01.623.UC BT C01.750.UC



	A	
		B
		C
A (mm)	408	
B (mm)	70	
C (mm)	123	

Components

Charger	2A / 3A - BAFANG
Lock	AXA/BAFANG

Specifications

Nominal Voltage (Vdc)	43
Energy (Wh)	498 , 623 , 750
Rated Capacity (Ah)	11.6 , 14.5 , 17.5
Com. Protocol	CAN & UART
Smart BMS	Yes
Voltage Scope (V)	32.4 - 49.2
Charging time	6.5h , 8.5h , 10h with 2A Charger 5h , 5.5h , 6.5h with 3A Charger
Max Continuous Discharge Current(A)	18 , 24 , 24

Operation Temperature

Charge	0 - 45 °C
Discharge	-20 - 60 °C
Storage (At 35% SOC & -10~35 °C)	6 Months , 6 Months , 12 Month

Matching Parameter

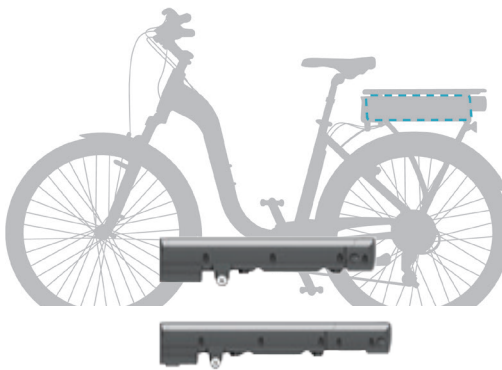
Weight (kg)	3.5 , 4 , 4
Mounting type	Rear Carrier
Removing type	Rear

Tests & Certifications

CB , CE , UN38.3 , ISO 13849

Model No.

BT C020.B378
BT C021.B504



A (mm)	340
B (mm)	74
C (mm)	148

Components

Charger	2A / DC2.1
Lock	BAFANG

Specifications

Nominal Voltage (Vdc)	36
Energy (Wh)	378 , 504
Rated Capacity (Ah)	10.5 , 14
Com. Protocol	/
Smart BMS	No
Voltage Scope (V)	27.5 - 42
Charging time	6.5h , 8h with 2A Charger
Max Continuous Discharge Current(A)	25 , 23

Operation Temperature

Charge	0 - 45 °C
Discharge	-20 - 60 °C
Storage (At 35% SOC &-10~35 °C)	Max 6 Months

Matching Parameter

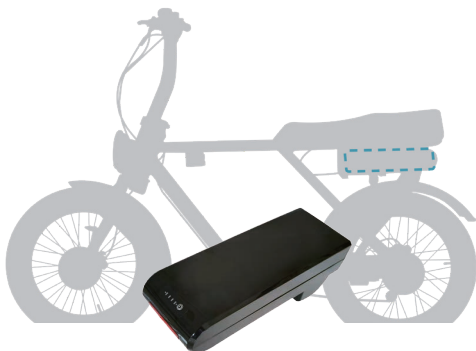
Weight (kg)	2.2
Mounting type	Rear Carrier
Removing type	Rear

Tests & Certifications

CE , UN38.3

Model No.

BT C010.D1008



A (mm)	348
B (mm)	133
C (mm)	141

Components

Charger	3A
Lock	BAFANG

Specifications

Nominal Voltage (Vdc)	48
Energy (Wh)	1008
Rated Capacity (Ah)	21
Com. Protocol	/
Smart BMS	No
Voltage Scope (V)	35.75 - 54.6
Charging time	8.5h with 3A Charger
Max Continuous Discharge Current(A)	30

Operation Temperature

Charge	0 - 45 °C
Discharge	-20 - 60 °C
Storage (At 35% SOC &-10~35 °C)	Max 6 Months

Matching Parameter

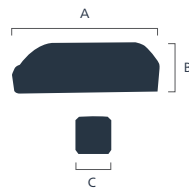
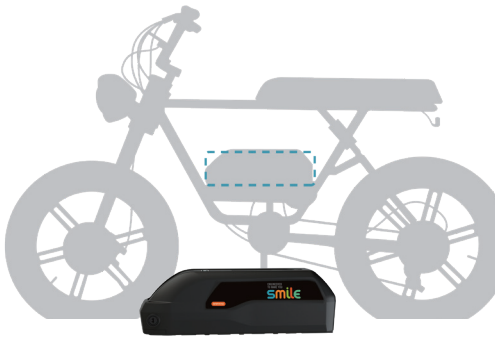
Weight (kg)	5
Mounting type	Rear Carrier
Removing type	Rear

Tests & Certifications

CE , UN38.3 , MSDS

Model No.

BT F22.960.C
BT F23.720.C



A (mm)	334
B (mm)	78 , 89
C (mm)	92

Components

Charger	4A - BAFANG
Lock	BAFANG

Specifications

Nominal Voltage (Vdc)	50.4
Energy (Wh)	720 , 960
Rated Capacity (Ah)	14.3 , 19
Com. Protocol	CAN
Smart BMS	Yes
Voltage Scope (V)	38.5 - 58.8
Charging time	5h , 6h with 4A Charger
Max Continuous Discharge Current(A)	24

Operation Temperature

Charge	0 - 45 °C
Discharge	-20 - 60 °C
Storage (At 35% SOC &-10~35 °C)	Max 6 Months

Matching Parameter

Weight (kg)	3.7 , 4.6
Mounting type	Semi integrated / Ontube
Removing type	Side Left

Tests & Certifications

CB , CE , UN38.3 , ISO 13849 , UL2271 , E - Mark , MSDS



ASIA

China Headquarter

Bafang Electric (Suzhou) Co., Ltd.
No.6 Dongyanli Rd., Suzhou Industrial
Park 215125, Suzhou

China

Bafang New Energy (Suzhou) Co., Ltd.
Building 1, 3E Industrial Park, No. 18,
Chunyao Road, Caohu Community
215144, Suzhou

Bafang (Tianjin) Electric Technology
Co., Ltd.
NO.17-1 Zhongyang Ave, Jinghai Econo-
mic Development Zone 301600, Tianjin

Bafang (Guangdong) Electric Technology
Co., Ltd.
Floor 2-4, Building 6, Walden Science
Park, Shengfeng Group Phase II, Julong
Village, Yuanzhou Town, Boluo County
516123, Huizhou, Guangdong

Bafang Electric (Suzhou) Co., Ltd. /
Taiwan Office
8F.-23, No.156, Gaotie 5th Rd., Wuri Dist.,
Taichung City 414-56, Taiwan

EUROPE

Netherlands

Bafang Electric Motor
Science-Technology B.V.
Bijsterhuizen 2415,
6604 LK Wijchen

Germany

Bafang Electric GmbH
Johannes-Liemke-Straße 2
33161 Hövelhof

Poland

Bafang Electric (Poland) sp. z o.o.
Ul.Logistyczna 8
55-040 Bielany Wroclawskie, Wroclaw

France

Bafang Electric France Branch
4 Bis Rue du Bois Briard
91080 Courcouronnes

Italy

Bafang Electric Italy Branch
Via Luigi Pierobon, n. 107
35010 Limena (PD)

Denmark

Bafang Electric Nordic Branch
Paul Bergsøes Vej 16
2600 Glostrup

AMERICA

USA

Bafang Science Inc.
2530 E. Corporate PL, suite A100,
Monterey Park, CA 91754

➤ sales@bafang-e.com
➤ www.bafang-e.com

