

6 USER MANUAL FOR M300 (MM G360.250/350.C)



CONTENT

6.1 Introduction	2
6.2 Specifications.....	3
6.2.1 Surface.....	3
6.2.2 Storage Information.....	3
6.3 Maintenance.....	4

6.1 INTRODUCTION



- **Product Model**

MM G360.250.C

MM G360.350.C

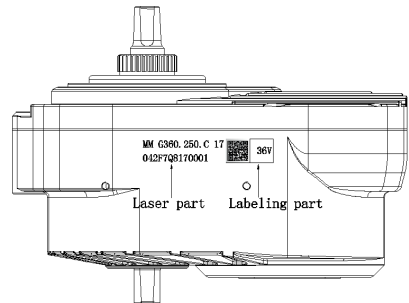
- **Scope**



Applies only to electrically powered pedelecs developed or licensed by Bafang. It is suitable for city and trekking bikes, which have been developed for road use. The engine is not suitable for sport competitions.

- **Identification**

The following graphic, is the identification numbers of the product, which are shown on the housing:



Note: Content in the label is important information about this product. Please do not remove the information from the motor.

6.2 SPECIFICATIONS

① Motor model: MM G360.250.C

Rated power (W)	250
Rated voltage(V)	36 / 43 / 48
Waterproof	IP65
Certification	CE / ROHS / EN14766 / EN14764
Outdoor Temperatures	-20 °C~45 °C

② Motor model: MM G360.350.C

Rated power (W)	350
Rated voltage(V)	36 / 43 / 48
Waterproof	IP65
Certification	CE / ROHS / EN14766 / EN14764
Outdoor Temperatures	-20 °C~45 °C

6.2.1 Surface

Shockproof black or silver gray coating

6.2.2 Storage Information

The pedelec should be stored in a ventilated dry room. Avoid storing the pedelec near strong magnetic objects.

6.3 MAINTENANCE

- Maintenance must be carried out by authorized personnel with the correct equipment.
- Do not disassemble the motor.
- Do not use thinners or other solvents to clean the components. Such substances can damage the surfaces.
- Avoid water submerging, to keep the components protected.
- Avoid using high-pressure cleaning jets.
- For prolonged storage, turn off the battery and avoid storing near heat sources.